

Farmmodels.nl
MINIATUREN & ONDERDELEN

CONSTRUCTION MANUAL



Farmmodels.nl

Premium line

Stuuras voor VGM Everest EV30

INTRODUCTION

Dear modeller,

Thank you for purchasing a Farmmodels kit.

Here you have the detailed description of your kit in scale 1:32.

The manual explains all the stages step by step how to use the different parts.

Please read all stages thoroughly before you begin.

Most parts in this kit are attached on a plate with 'bridges'.

This is to protect the parts from damaging.

Cut through these bridges in order to detach the parts.

Clean up the parts where necessary and remove any residue and file all sharp corners/edges.

This kit does not indicate at what point you should colour/paint the parts, because this depends on your choice of colour palette.

Keep that in mind during the construction of your model.

It is important to use the right type of glue.

We recommend two types of glue:

Model making glue for polystyrene (plastic) Revell Contacta and superglue/industrial glue.

This manual has been prepared with great care and preciseness.

Should you therefore still have questions or points for improvement concerning the manual, please contact us by e-mail via info@farmmodels.nl

We wish you good "modeling" fun with composing this model.

Sincerely,

team Farmmodels.nl

Benodigdheden - Tools

Voor de bouw van onze kitjes is het makkelijk om over het volgende gereedschap te beschikken:

For the construction of our kit we recommend the following tools:

Revell mes - Revell knife



Pincet - Tweezers



Punt tang Pliers



Revell lijm - Revell glue



Vijl - File



Boortjes - Drill bits



Zijkniptang - Side cutter



Superlijm - Superglue



Advies: Revell Vloeibare plasticlijm.

Deze lijm droogt niet direct en geeft de mogelijkheid om delen te positioneren.

Advice: Revell Liquid plasticglue.

This glue doesn't dry instantly and gives the possibility to position the parts.

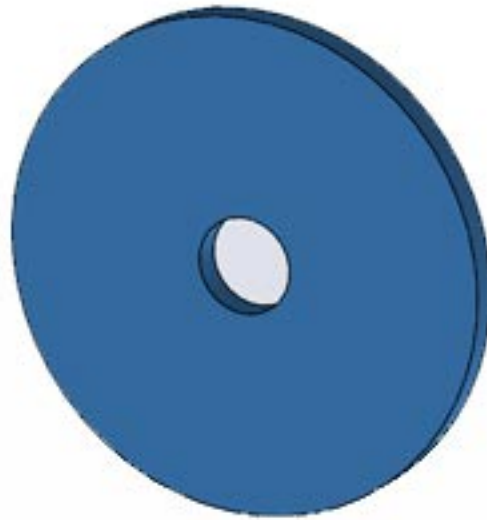
Advies: Farmmodels superlijm

Deze lijm droogt direct zodat delen niet lang vastgehouden hoeven te worden.

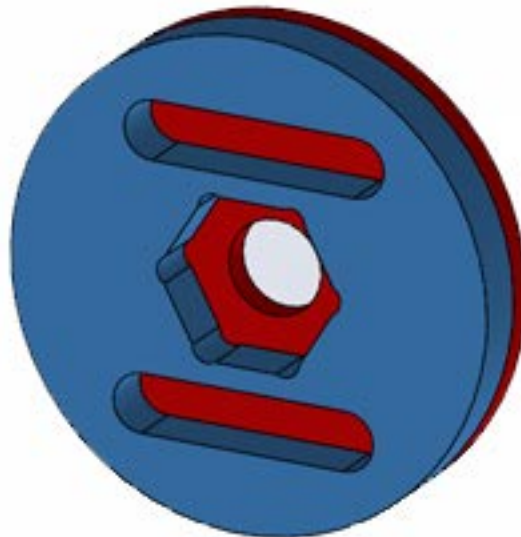
Advice: Farmmodels Superglue.

This glue dries instant so that parts don't need to be held long.

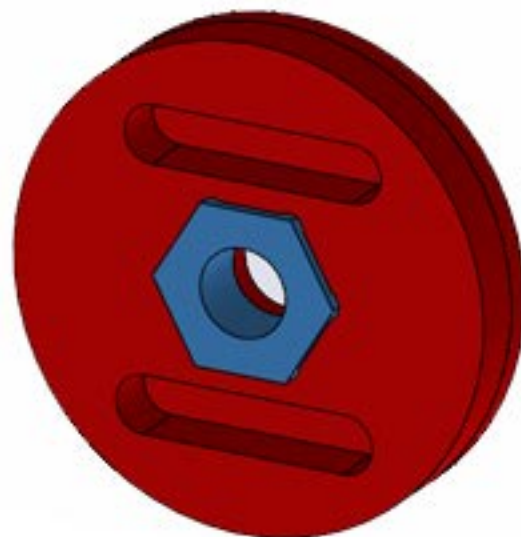
1 Start



2

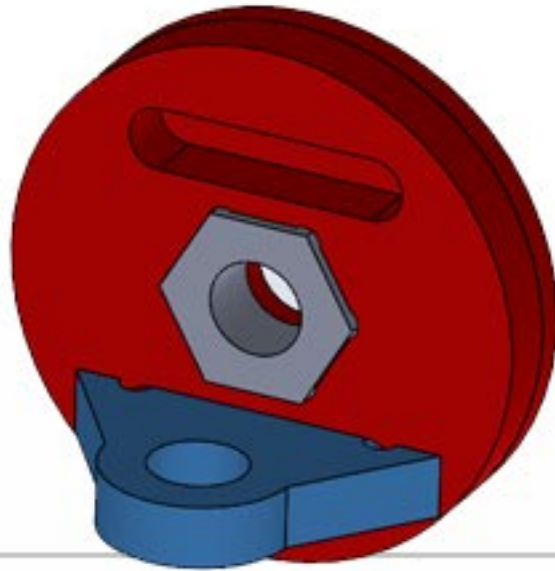


3

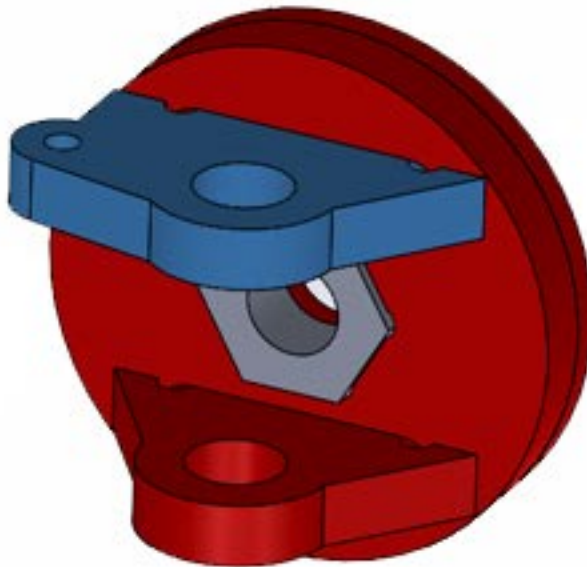


M3 moertje
M3 nut

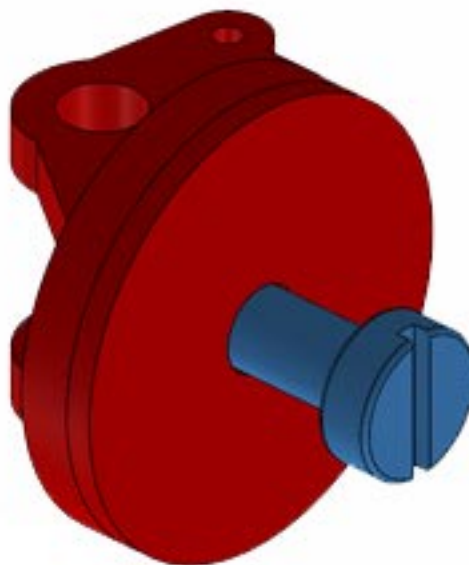
4



5



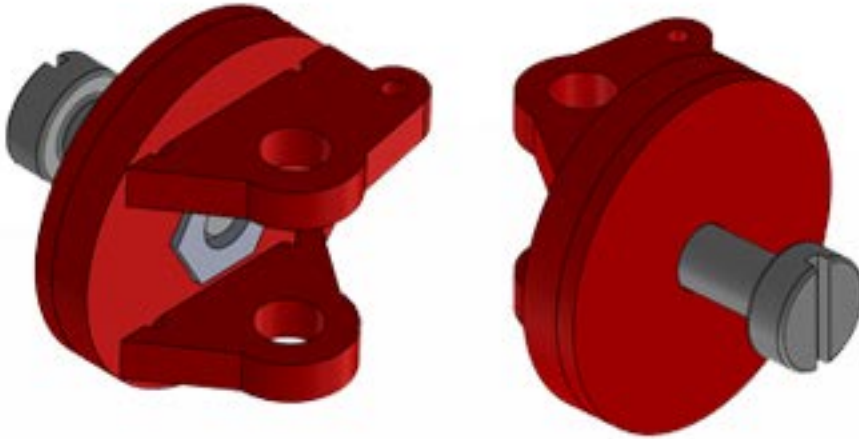
6



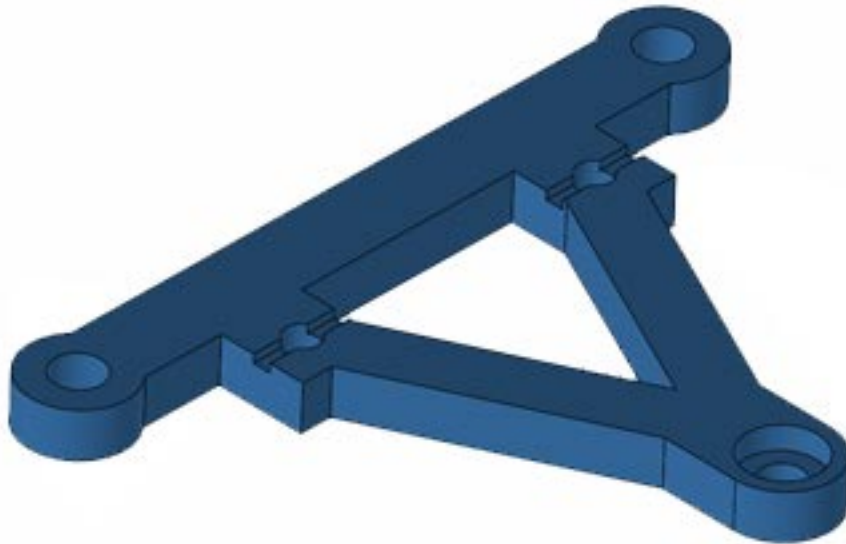
M3 boutje
M3 bolt

7

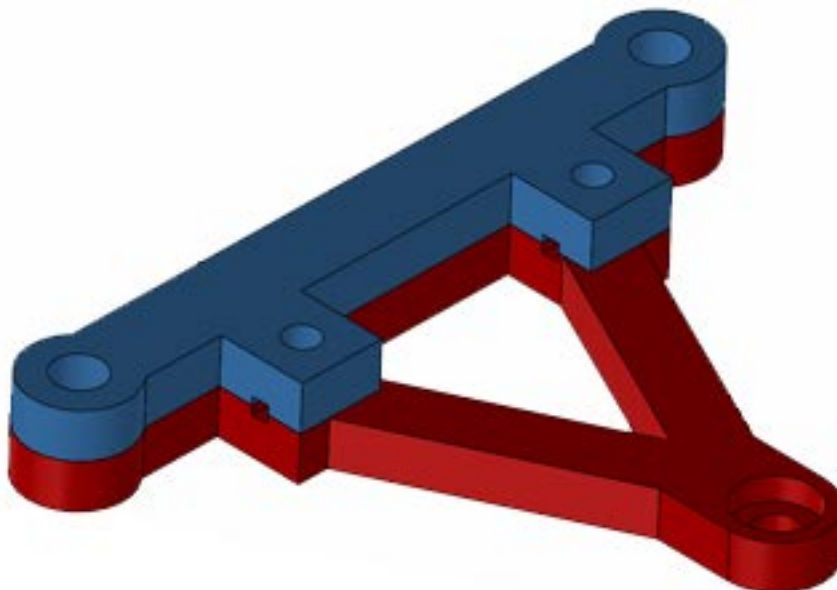
Bouw nu ook de gespiegelde versie
Build the mirrored version too



8



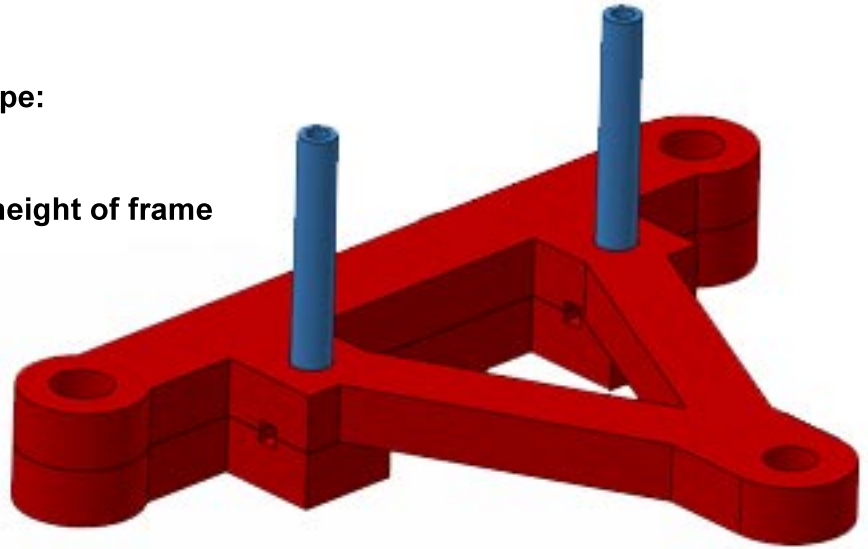
9



10



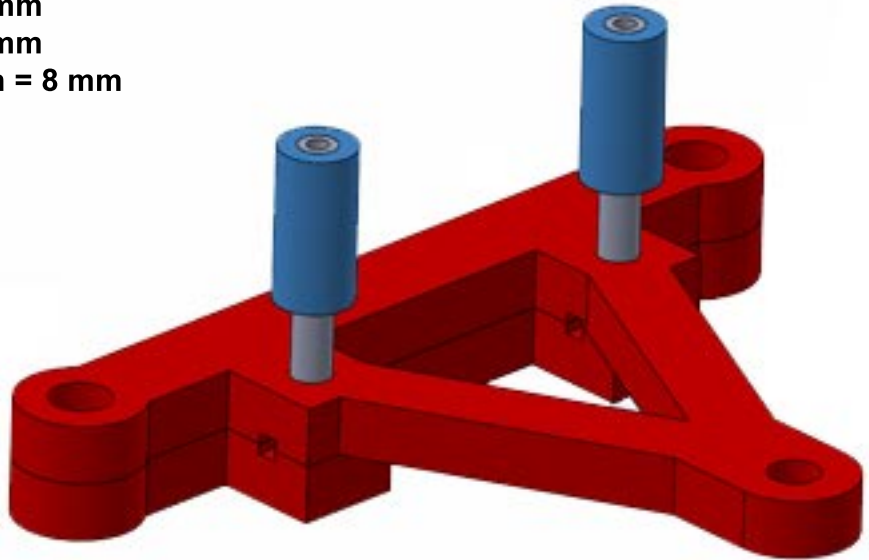
Aluminium pijp / pipe:
A= 1 mm
B= 2 mm
length = adjust to height of frame



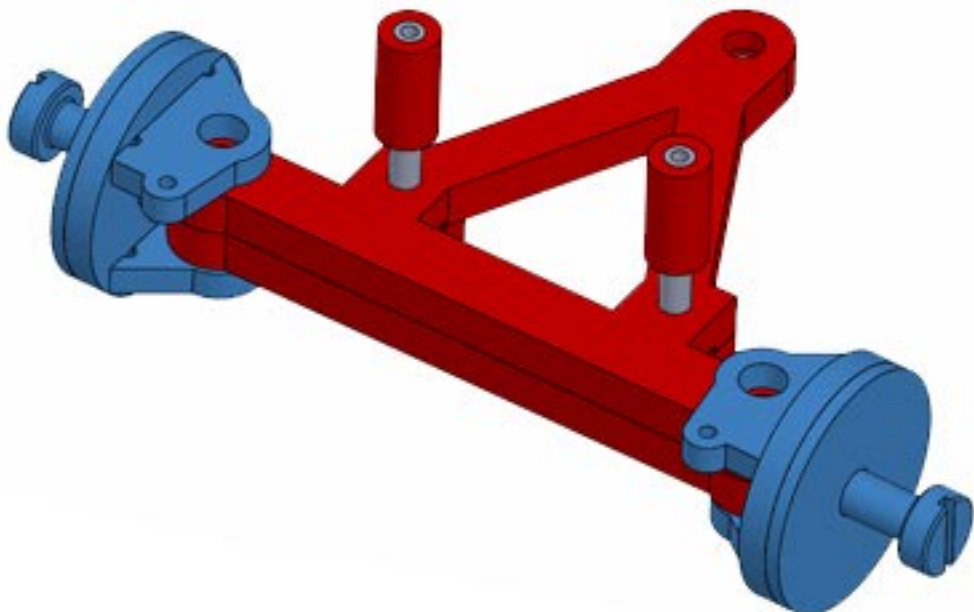
11



Polystyreen pijp / pipe:
A= 2 mm
B= 4 mm
length = 8 mm



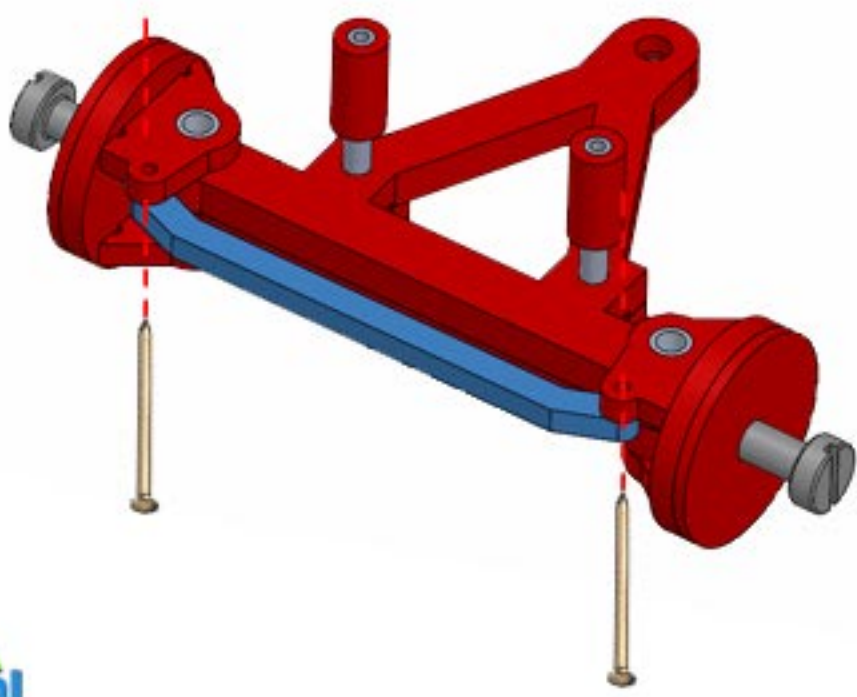
12



13 X



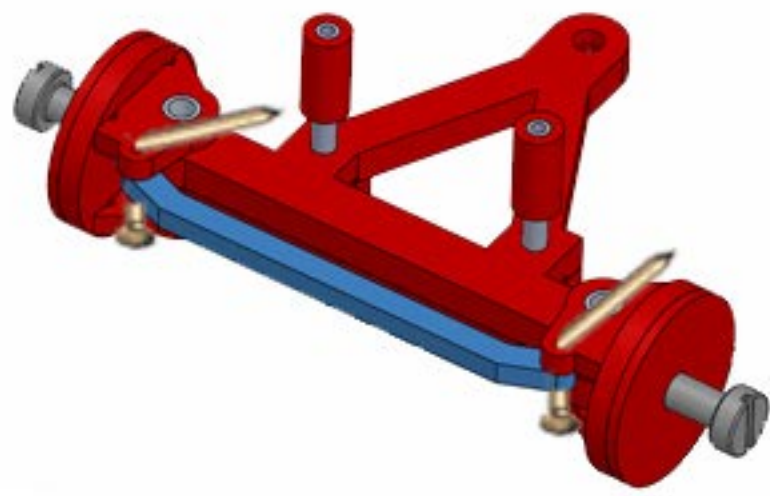
14 X



15 X



Ready



Ready

